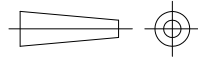
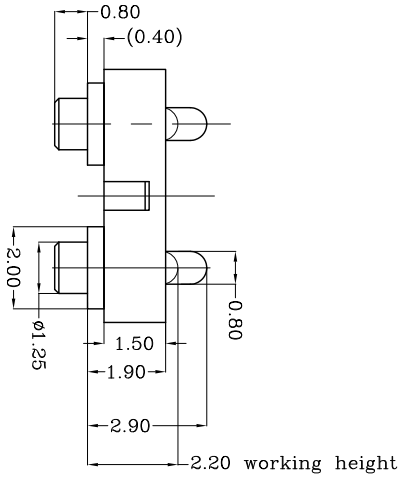
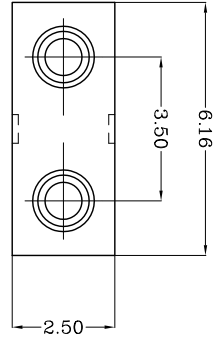


THIS INFORMATION IS CONFIDENTIAL AND IS DISCLOSED TO YOU ON CONDITION THAT NO FURTHER DISCLOSURE IS MADE BY YOU TO OTHER THAN TOP-LINK PERSONNEL WITHOUT WRITTEN AUTHORIZATION FROM TOP-LINK LTD.

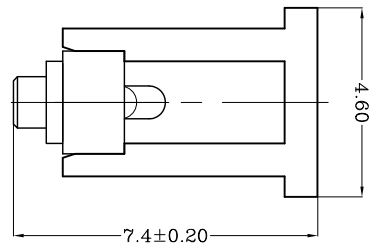
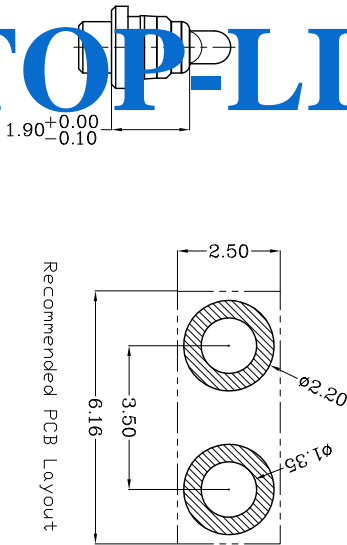
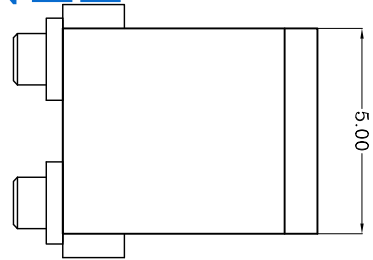


DWG NO.

C-100471



TOP-LINK



Notes:
 1 Material, Housing: PA 4:6 (30% Glass Filled)
 Color: Black.
 Contact: Brass
 2 Mechanical demands:
 Plating Plunger: Min. 0.4um Au over 14um Ni
 Plating Body: Min 0.1um Au over 14um Ni
 Spring Force: 108±22 gf.

LDC	-
DIST	-

LTR	REVISION	APVD	DATE
	RECORD		
		NEW	09/02/06

DIMENSIONS IN MM	
TOLERANCES UNLESS	
OTHER SPECIFIED	
0	= ±
0.0	= ±0.15
0.00	= ±0.10
0.000	= ±
ANGLE: ±1°	
SURF TEXTURE: 32/	
REMOVE BURRS, BREAK	
SHARP EDGES R0.05 MAX	
DD NOT SCALE PRINT	

MATL	HT TR	FIN
1	-	-
DWN	APVD	
Qin	Lansing	
CHK	REL	
Jim		
NAME	PGGD	FIN
BATTERY	CONNECTOR	2
	POSITIONS	
SCALE	DWG	
1:1	ND.	
A4	C-100471	
	PGC-15-29-R-2P-35PH	
SHEET		
1 OF 1		
REV		
A		

PART NUMBER	100471-2
-------------	----------

USED DN
-

4

3

2

1

A

B

C

D